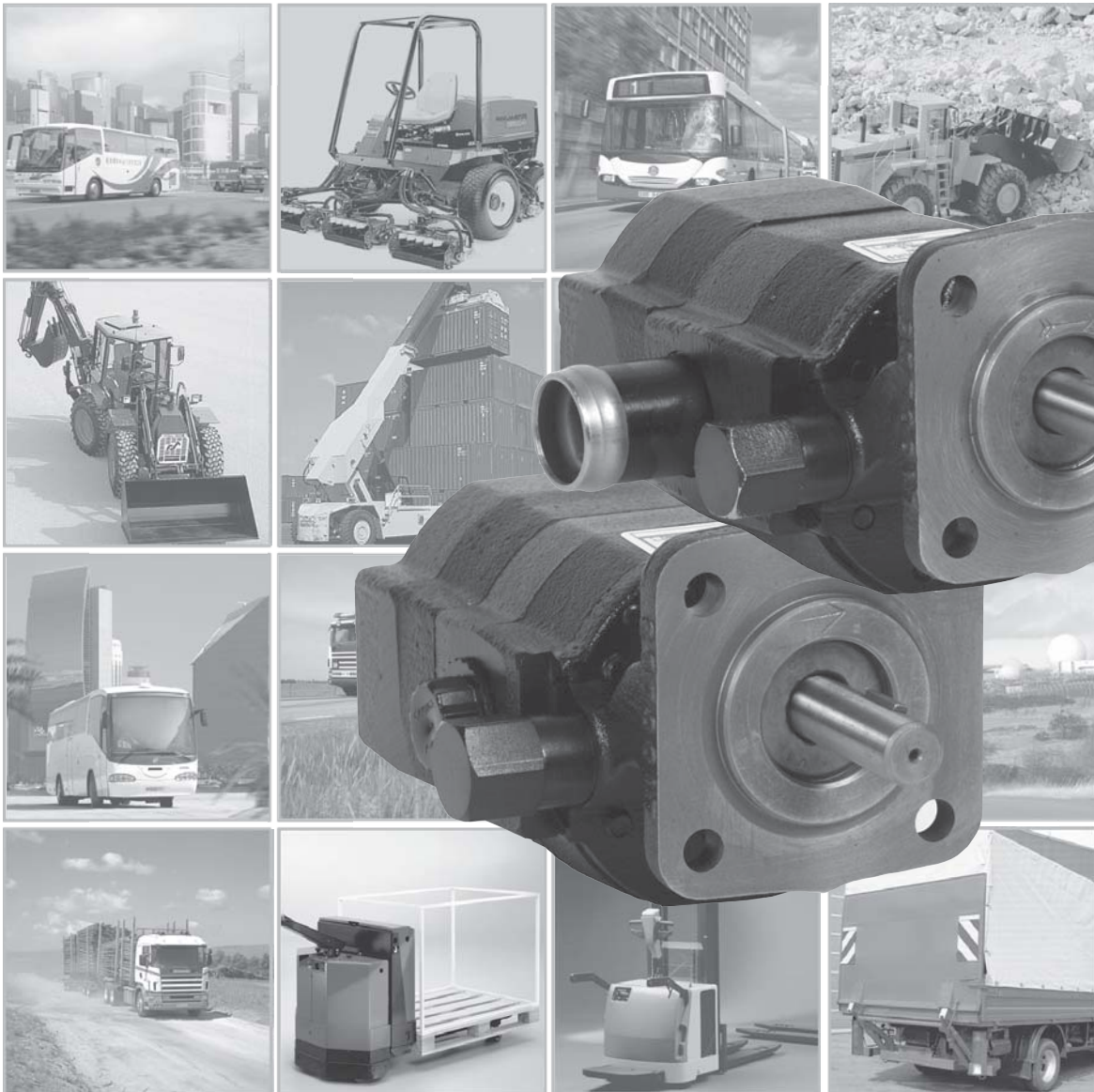
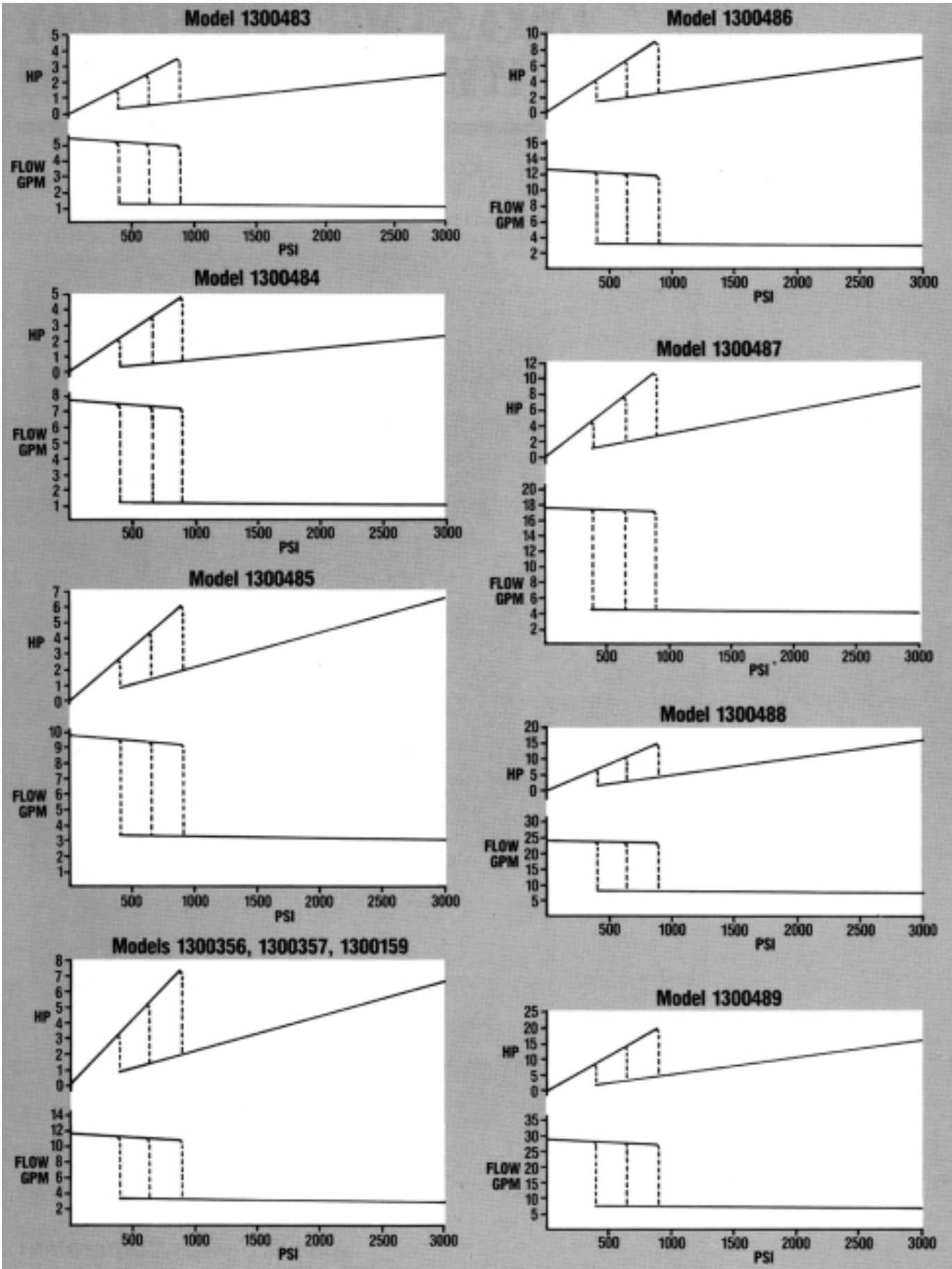


TWO STAGE HIGH/LOW HYDRAULIC PUMPS



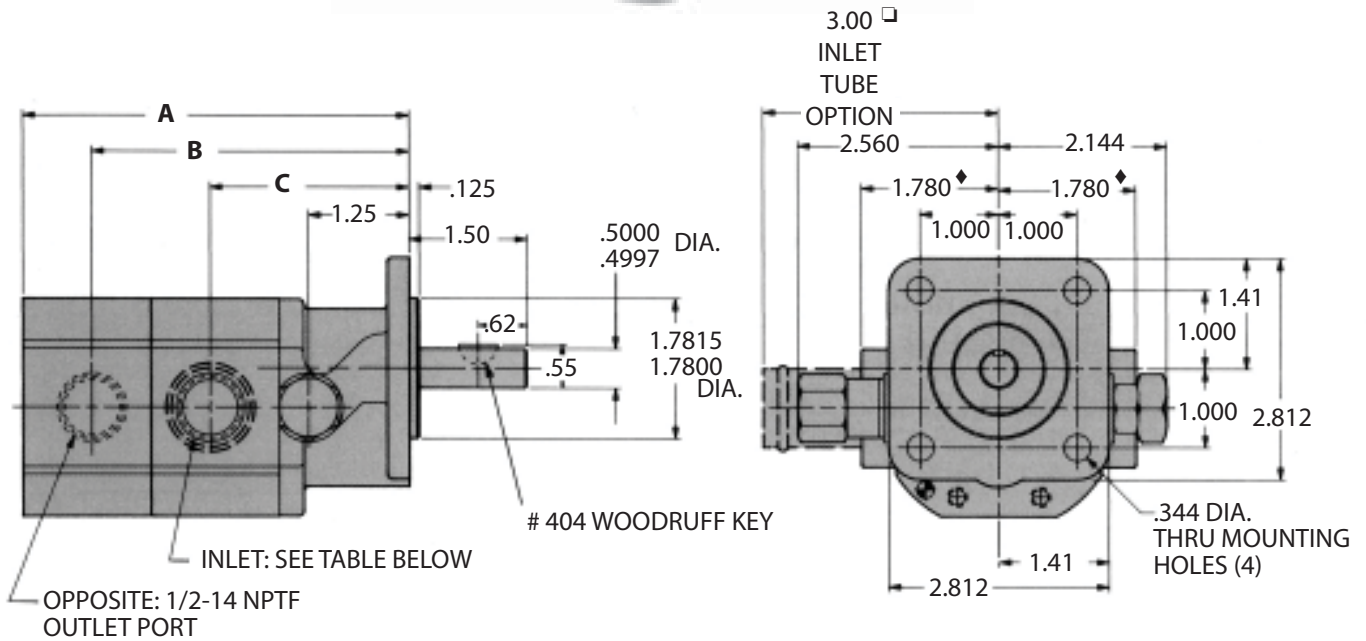
PERFORMANCE CURVES

at 3600 RPM, with 300SSU Oil



DIMENSIONAL DRAWINGS

GC Series



GC Series

P/N	Nominal Flow GPM *	✓ Rotation	Shaft		Mount Type	Ports **		Dimensions (inches)		
			Dia.	Ext.		Inlet	Outlet	A	B	C
1300483	5	CW	1/2	1.5"	4-bolt	◆ 1/2" NPTF	1/2" NPTF	4.91	4.03	2.53
1300484	7	CW	1/2	1.5"	4-bolt	◆ 1/2" NPTF	1/2" NPTF	4.91	4.03	2.53
1300485	9	CW	1/2	1.5"	4-bolt	◆ 1/2" NPTF	1/2" NPTF	4.91	4.03	2.53
1300356	11	CW	1/2	1.5"	4-bolt	◆ 1/2" NPTF	1/2" NPTF	4.91	4.03	2.53
1300357	11	✚ CCW	1/2	1.5"	4-bolt	◆ 1/2" NPTF	1/2" NPTF	4.91	4.03	2.53
1300159	11	CW	1/2	1.5"	4-bolt	✖ 1" tube	1/2" NPTF	4.91	4.03	2.53
1300486 ■	13	CW	1/2	1.5"	4-bolt	✖ 1" tube	1/2" NPTF	5.47	4.59	3.09
1300487 ■	16	CW	1/2	1.5"	4-bolt	✖ 1" tube	1/2" NPTF	5.47	4.59	3.09

* At 3600 RPM.

** SAE ports available, consult factory.

✚ Ports and valves on opposite side of casting.

✓ As viewed from the shaft end.

■ These two pumps have square keys, 1/8" x 1", instead of #404 Woodruff Key.

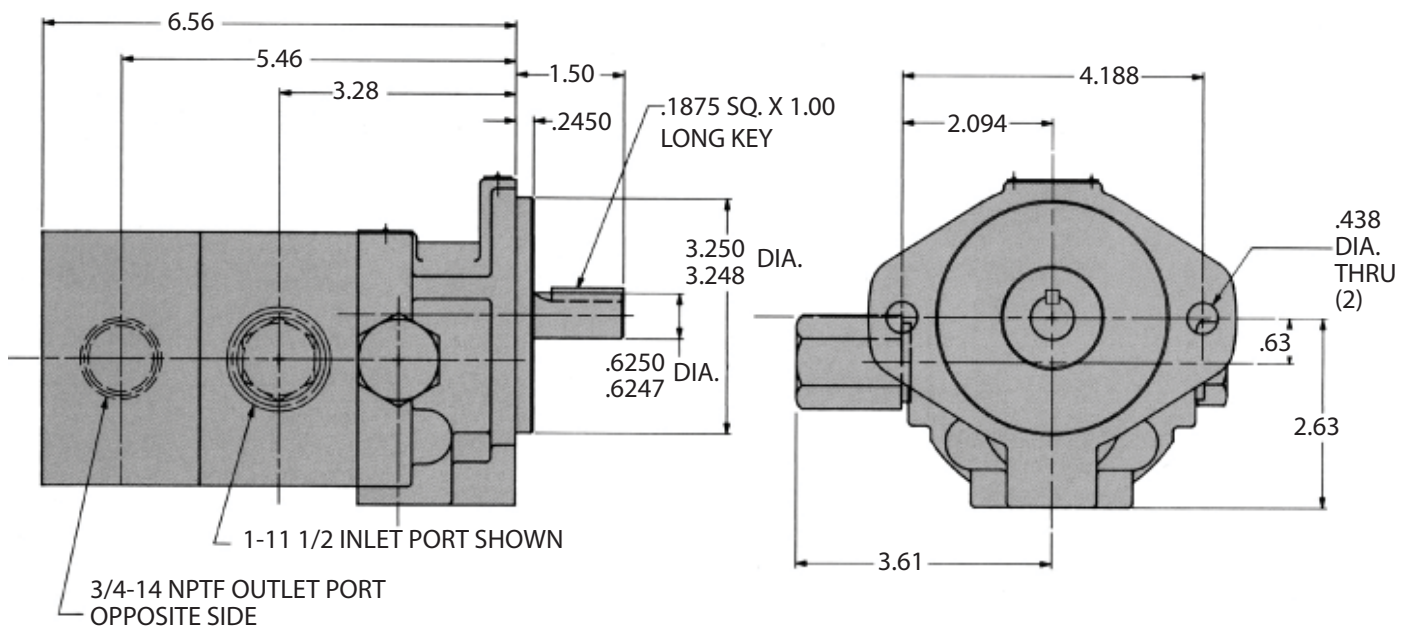
✖ Indicates a 1" inlet tube is used.

◆ Indicates 1/2" NPTF port.

Pictures on front cover are used with the kind permission of eg: Atlet, BT, Huddig, Scania, Toro and Volvo Construction Equipment.

DIMENSIONAL DRAWINGS

D Series



D Series

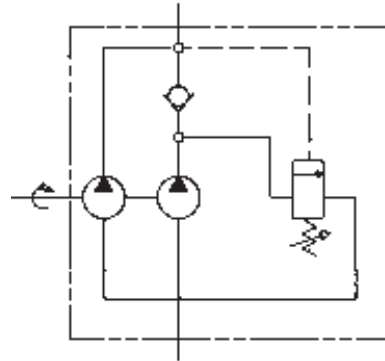
P/N	Nominal Flow GPM *	✓ Rotation	Shaft		Mount Type	Ports**	
			Dia.	Ext.		Inlet	Outlet
1300488	22	CW	5/8	1.5"	SAE A	1" NPTF	3/4" NPTF
1300489	28	CW	5/8	1.5"	SAE A	1" NPTF	3/4" NPTF

* At 3600 RPM.

** SAE ports available, consult factory.

✓ As viewed from the shaft end.

TWO STAGE HIGH/LOW HYDRAULIC GEAR PUMPS



Hydraulic Schematic

Pump Selection Guide

P/N	Nominal Flow GPM *	High Pressure Gear Displ. in. ³	Low Pressure Gear Displ. in. ³
1300483	5	.065	.258
1300484	7	.065	.388
1300485	9	.194	.388
1300356	11	.194	.517
1300357	11	.194	.517
1300159	11	.194	.517
1300486	13	.194	.647
1300487	16	.258	.776
1300488	22	.465	.930
1300489	28	.465	1.395

* At 3600 RPM.
All pumps factory preset at 650 PSI; for settings outside range, contact factory.

NOTE: All pumps above are 3000 PSI max. working pressure, 400-900 PSI unload adjustable range, and 500-4000 RPM range.

For more information, application assistance or detailed literature on any Concentric product line, call us toll free **1-800-572-7867**, visit our website at www.concentricAB.com or e-mail us at info.hydraulics.us@concentricAB.com or info.hydraulics.eu@concentricAB.com

PUMPS & MOTORS

Cast Iron Pumps Heavy Duty



GC Series Pumps

Displacements
0.065 to 0.711 cu. In. (1.06 to 11.65 cc)

GC Series High/Low Pumps

High Pressure Displacements
0.065 to 0.258 cu. In. (1.06 to 4.22 cc)

Low Pressure Displacements
0.258 to 0.776 cu. In. (4.22 to 12.71 cc)

Maximum Pressure
4,000 psi (276 bar)

Maximum Speed
4,000 rpm



F12 & F15 Ferra Series Pumps

F12 Displacements
0.976 to 2.502 cu. In. (16 – 41 cc)

F15 Displacements
1.159 to 3.051 cu. In. (19 to 50 cc)

Maximum Pressure
4,000 psi (276 bar)

Maximum Speed
3,600 rpm



F20/F30 Pumps & F20-LS/F30-LS Load Sense Ferra Series Pumps

Displacements
1.41 to 9.82 cu. In. (23 to 161 cc)

Maximum Pressure
4,000 psi (276 bar)

Maximum Speed
3,600 rpm



D Series Pumps

Displacements
0.232 to 1.395 cu. In. (3.80 to 22.85 cc)

D Series High/Low Pumps

High Pressure Displacements
0.465 cu. In. (7.62 cc)

Low Pressure Displacements
0.930 to 1.395 cu. In. (15.24 to 22.86 cc)

Maximum Pressure
3,000 – 4,000 psi (207 – 276 bar)

Maximum Speed
3,600 – 4,000 rpm

Aluminum Pumps Medium/Light Duty



W-Series Pumps

W100 Displacements
0.031 to 0.122 cu. In. (0.50 to 2.00 cc)

W300 Displacements
0.049 to 0.347 cu. In. (0.80 to 5.70 cc)

W600 Displacements
0.244 to 0.732 cu. In. (4 to 12 cc)

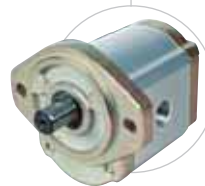
W900 Displacements
0.305 to 1.891 cu. In. (5 to 31 cc)

W1200 Displacements
1.526 to 2.014 cu. In. (25 to 33 cc)

W1500 Displacements
1.159 to 3.051 cu. In. (19 to 50 cc)

Maximum Pressure
4,000 psi (276 bar)

Maximum Speed
500 to 4,000 rpm



WK900 CALMA Pumps

Displacements
0.305 to 1.648 cu. In. (5 to 27 cc)

Maximum Pressure
3,336 psi (230 bar)

Maximum Speed
4,000 rpm

Fluid Motors



Cast Iron

Displacements
0.065 to 9.82 cu. In. (1.06 to 161 cc)

Speed
Up to 10,000 rpm

Aluminum

Displacements
0.244 to 3.050 cu. In. (4 to 50 cc)

Speed
Up to 4,000 rpm

Flow Dividers



GC & D Series

GC Displacements
0.097 to 0.517 cu. In. (1.58 to 8.47 cc)

D Displacements
0.232 to 0.813 cu. In. (3.8 to 13.32 cc)

Maximum Pressure
4,500 psi (310 bar)

Maximum Input Flow Per Section
14 gpm (53 lpm)



Call us for more information
For application assistance or detailed literature on any Concentric product line, call us toll-free: 1-800-572-7867.
Visit our web site: www.concentricAB.com
E-mail us: info.hydraulics.us@concentricAB.com

Only Concentric offers this extensive range of products worldwide.

POWER PACKS



PUMP/MOTORS (DC/AC)

DC Voltage Range

12 to 72 VDC

AC Horsepower Range

1/2 to 3 HP

Pump Displacements

0.04 – 1.71 cu. In. (0.65 to 28 cc)

Maximum Pressure

4,000 psi (276 bar)



HB800 POWER PACKS

Voltage Range

12 to 24 VDC

Pump Displacements

0.037 to 0.092 cu. In. (0.60 to 1.5 cc)

Reservoirs

0.13 to 1 gal. (.5 to 3.8 ltr.) plastic

Maximum Pressure

2,610 psi (180 bar)



HE1000 SERIES POWER PACKS

Voltage Range

12 to 24 VDC

Pump Displacements

0.015 to 0.122 cu. In. (0.24 to 2 cc)

Maximum Pressure

3,336 psi (230 bar)

Reservoirs

0.13 to 1.0 gal. (0.5 to 3.8 ltr.) plastic



HE2000 SERIES POWER PACKS

Voltage Range

12 to 24 VDC, 115 to 230 VAC

Pump Displacements

0.049 to 0.388 cu. In. (0.80 to 6.36 cc)

Maximum Pressure

3,336 psi (230 bar)

Reservoirs

0.95 qt. to 3.96 gal. (0.9 to 15 ltr.) steel,
0.8 to 1.7 qt. (0.76 to 1.6 ltr.) plastic



HE "BOX" POWER PACKS

Voltage Range

12 to 24 VDC

Pump Displacements

0.049 to 0.388 cu. In. (0.80 to 6.36 cc)

Maximum Pressure

3,336 psi (230 bar)

Reservoirs

3 qt. to 5.0 gal. (2.84 to 19 ltr.) steel

HE-Q (QUIET) POWER PACKS

Voltage Range

24 VDC

WQ300 Pump Displacements

0.073 to 0.347 cu. In. (1.2 to 5.7 cc)

Noise

42dB(A)



BIROTATIONAL POWER PACKS

Voltage Range

12 to 24 VDC, 115 to 230 VAC

Pump Displacements

0.049 to 0.129 cu. In. (0.80 to 2.11 cc)

Reservoirs

2 to 2.96 qt. (1.9 to 2.8 ltr.) plastic,
1 to 2 gal. (3.8 to 7.6 ltr.) steel



AC POWER PACKS GC-9500 SERIES

Displacements

0.065 to 1.394 cu. In. (1.06 to 22.85 cc)

Maximum Pressure

3,000 psi (207 bar)

Maximum Speed

3,600 rpm

Reservoirs

5 to 20 gal. (19 to 76 ltr.) steel



Call us for more information

For application assistance or detailed literature on any Concentric product line, call us toll-free: 1-800-572-7867.

Visit our web site: www.concentricAB.com

E-mail us: info.hydraulics.us@concentricAB.com

PRODUCT RANGE
HE Powerpacks

12/24/48 VDC 0.3 – 4.5 kW and
0.75 – 3 kW AC modular power packs

HE Box Powerpacks

12/24/48 VDC modular powerpacks
in weatherproof boxes

Pressure Switches

5 - 350 bar, connecting/disconnecting

W100 Hydraulic pumps

0,5 - 2,0 cc 227 bar

W300 Hydraulic pumps

0,8 - 5,7 cc 230 bar

W600 Hydraulic pumps / motors

3 – 12 cc 276 bar

W900 Hydraulic pumps / motors

5 – 31 cc/section 276 bar

Calma The new quiet pumps

6,2 - 23,7 cc/section 250 bar

WQ900 The quiet pumps

5 - 23 cc/section 230 bar

WP900X Hydraulic pumps

16 - 31 cc/section 276 bar

W1500 Hydraulic pumps / motors

19 - 50 cc/section 276 bar

F12 FERRA Heavy duty pumps

16 - 41 cc/section 276 bar

F15 FERRA Heavy duty pumps

19 - 50 cc/section 276 bar

F20/F30 (LS) Hydraulic pumps / motors

23 – 161 cc/section 276 bar

GPA Internal Gear pumps

1,7 – 63 cc/section 100 bar

GC Hydraulic pumps / motors

1,06 – 11,65 cc/section 276 bar

D Hydraulic pumps

3,8 – 22,9 cc/section 207 bar

H Hydraulic pumps

9,8 – 39,4 cc/section 207 bar

II-Stage Hydraulic pumps

4,2 – 22,8 cc/section 276 bar

Rotary Flow Dividers

3,8 – 13,3 cc/section 300 bar

Transmission pumps

www.concentricAB.com


Concentric Rockford Corp.

2222 15th Street
ROCKFORD, IL 61104
USA

Tel: +1-815 398 4400

Fax: +1-815 398 5977

E-mail: info.hydraulics.us@concentricAB.com

Concentric Hof GmbH

Postfach 1507
D-95014 HOF
Germany

Tel: +49-9281 895-0

Fax: +49-9281 87133

E-mail: info.hydraulics.eu@concentricAB.com

Concentric Skanes AB

Box 95
SE-280 40 SK. FAGERHULT
Sweden

Tel: +46-433 32400

Fax: +46-433 30546

E-mail: info.hydraulics.eu@concentricAB.com

Concentric Suzhou Co. Ltd.

47 Dongjing Industrial Park
9 Dong Fu Lu
SIP, Suzhou

Jiangsu

China 215123

Tel +86 512 8717 5100

Fax +86 512 8717 5101

info.chsh@concentricAB.com



Concentric is an innovator in flow control and fluid power, supplying proprietary systems and components for trucks, buses and industrial vehicles, worldwide. With 1,156 employees and sales of 1,977 million Swedish Kronor, Concentric AB is listed on the Stockholm Stock Exchange (www.concentricAB.com).

Concentric will not accept responsibility for any catalog errors and reserves the right to modify its products without prior notice. This also applies to products already ordered, provided that such modifications can be made without affecting technical specifications. All trademarks in this material are properties of their respective owners.